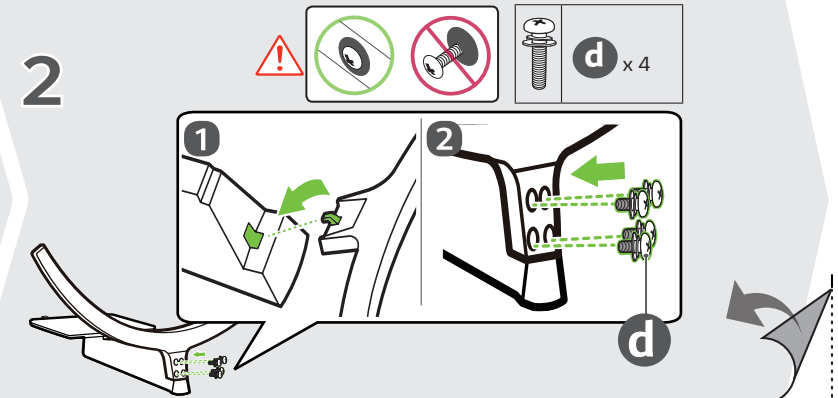
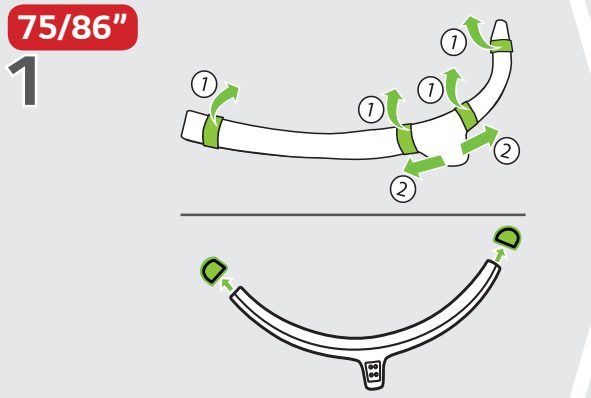
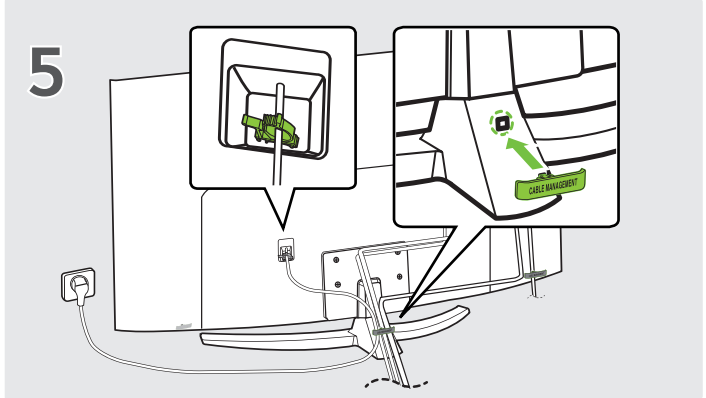
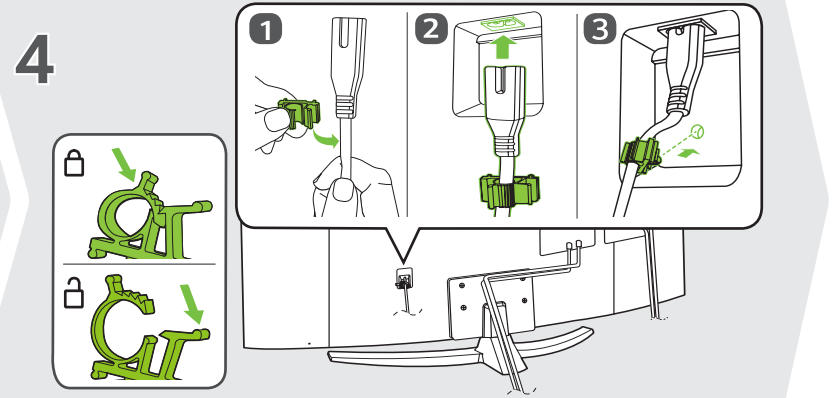
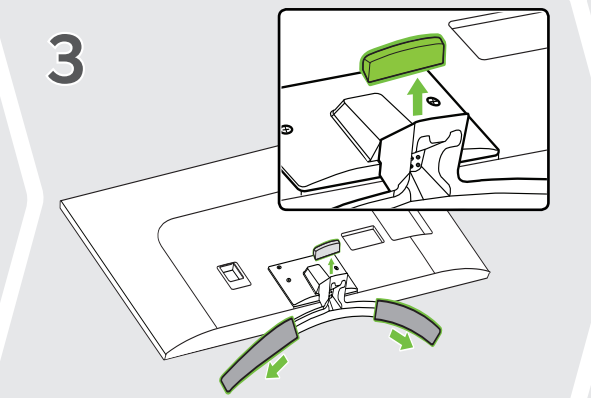
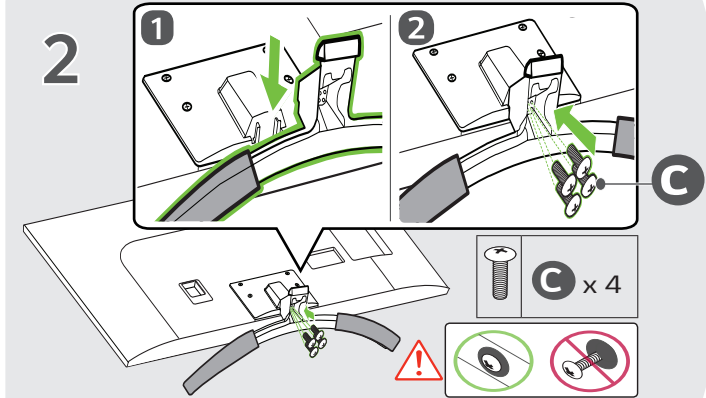
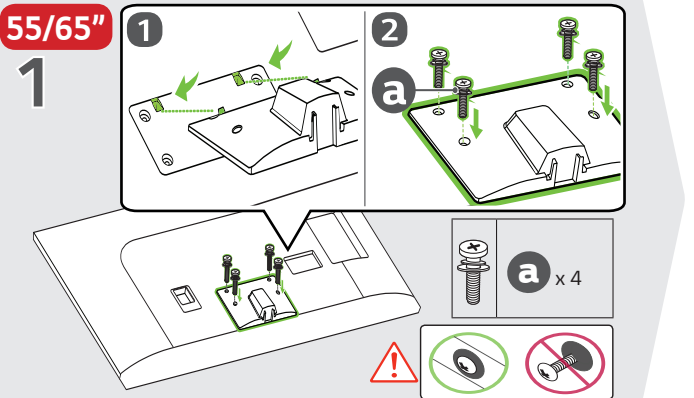
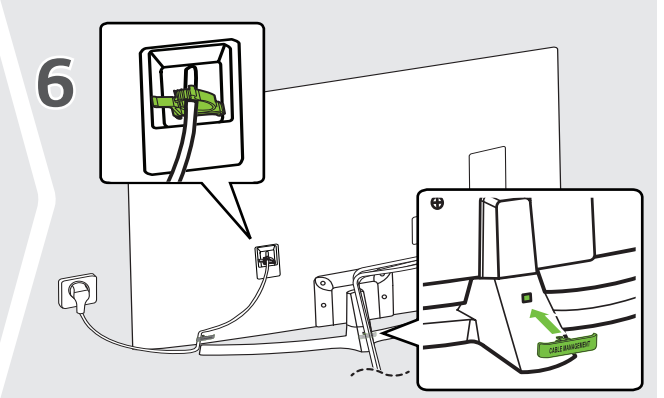
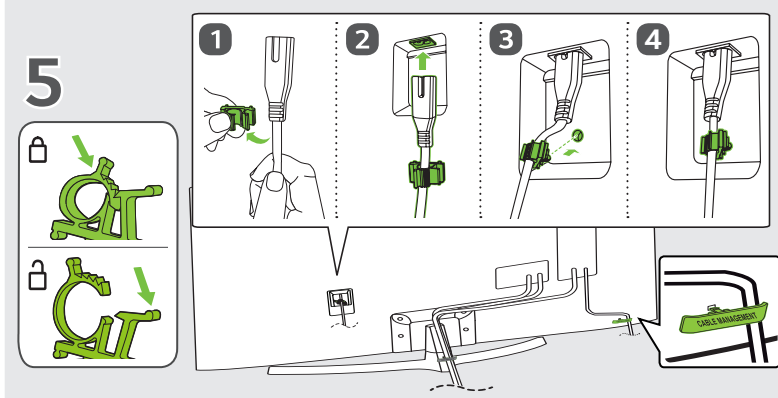
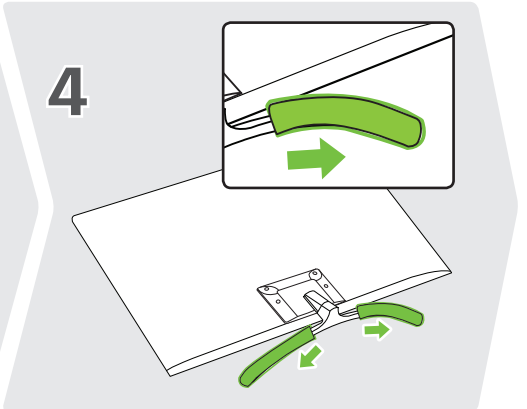
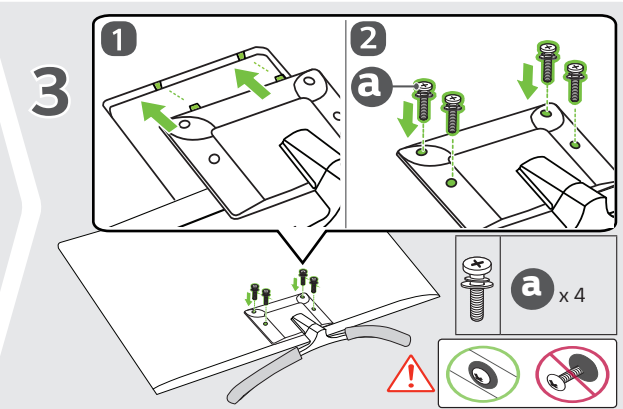
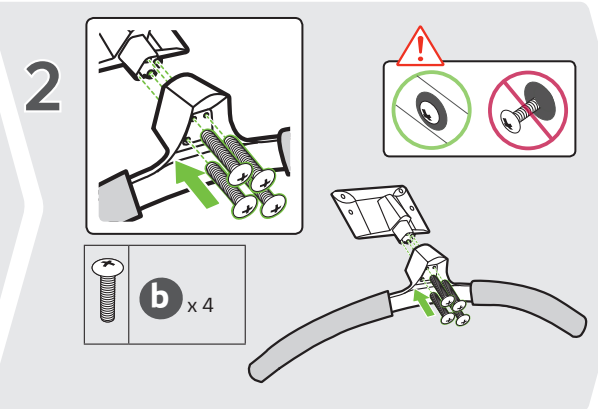
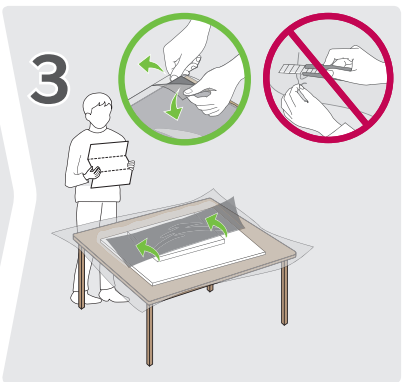
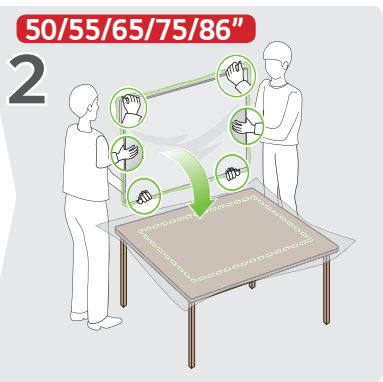
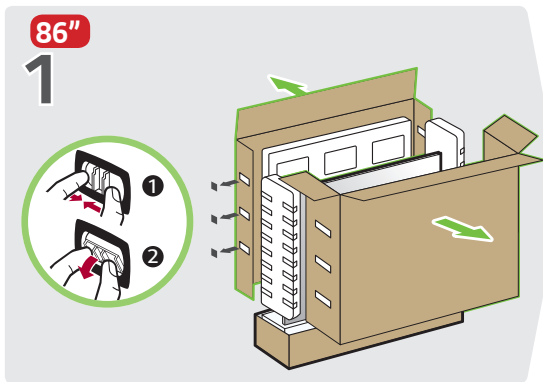
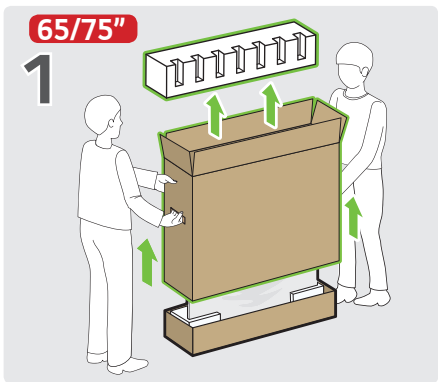
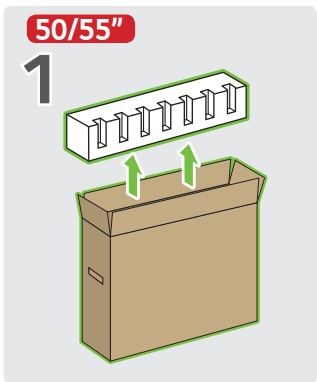
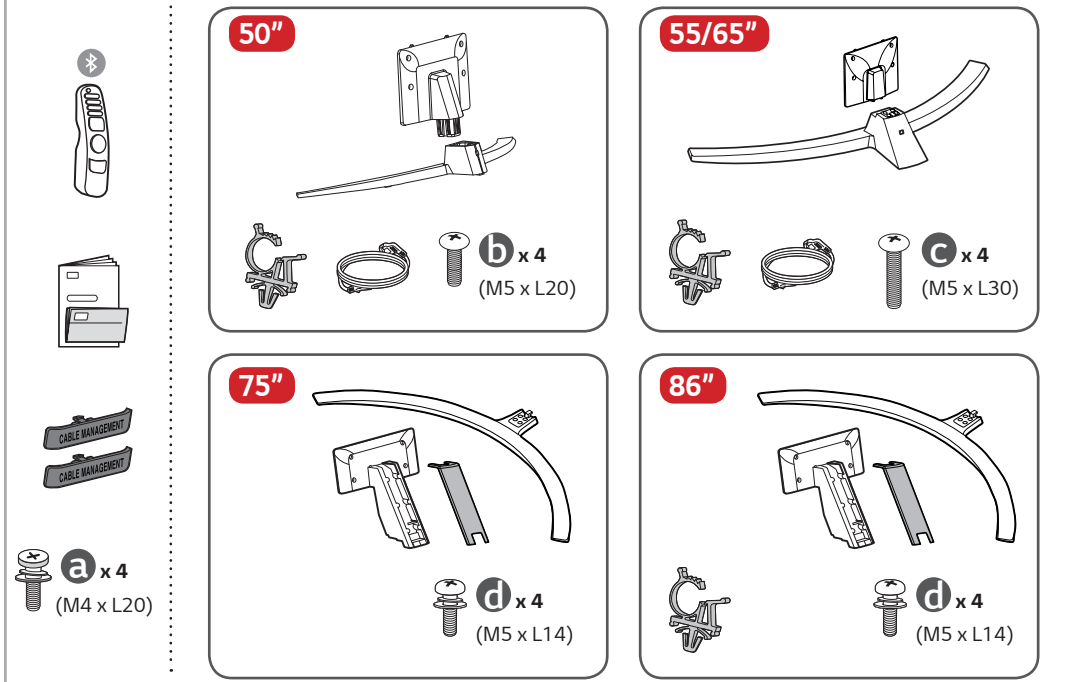


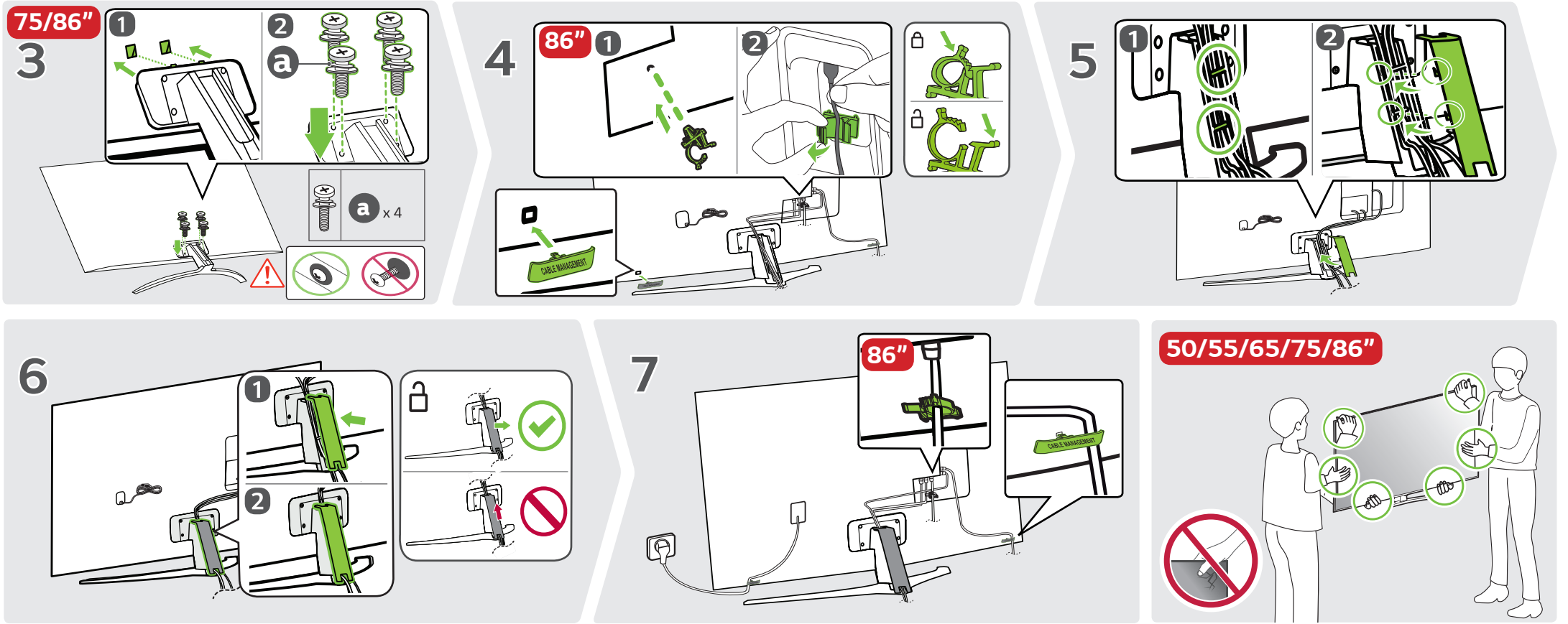


50NANO84*
55NANO84*

65NANO84*
75NANO84*

86NANO84*





	A	B	C	D	E	F	F-G
	(mm)						(kg)
50NANO84*	1121	703	249	651	57.1	13.2	12.1
55NANO84*	1235	787	260	715	57.5	15.4	14.0
65NANO84*	1454	909	340	838	57.7	23.0	21.6
75NANO84*	1678	1045	378	964	59.9	34.6	31.4
86NANO84*	1927	1178	425	1104	59.9	48.9	45.2

	A	B	C × D (mm)	E	F (mm)	G (m)	H (mm)
LSW240B MSW240	50NANO84*	200 × 200	M6	384	≥ 1.5	254	
WB24GCB MSW240	55NANO84*	300 × 300	M6	371		230	
WB24GCB	65NANO84*	300 × 300	M6	480		240	
WB24GCB	75NANO84*	400 × 400	M6	559		212	
WB24GDB	86NANO84*	600 × 400	M8	599		215	

	A	B	C (mm)	D
WB21LMB	50NANO84*	200	M6	
WB21LMB	55NANO84* 65NANO84*	300	M6	

* : 0~9, A~Z